

2PC FLANGE BALL VALVE MODEL:NC2-SQ



FLOATING CARBON STEEL / STAINLESS STEEL BALL VALVE

CLASS ANSI150#

Applicable

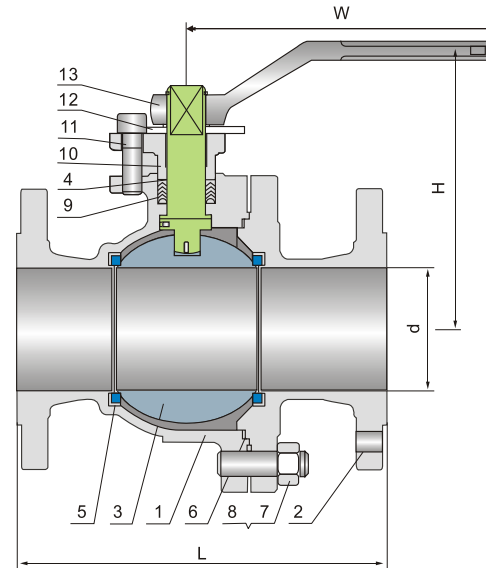
STEEL BALL VALVES, API 608/API 6D
 STEEL BALL VALVES, ISO 10434/ISO 14313
 FIRE DURABLE, API 607
 ANTI STATIC, API 608
 STEEL VALVES, ASME B 16.34
 FACE TO FACE, ASME B 16.10
 END FLANGES, ASME B 16.5
 BUTTWELDING ENDS, ASME B 16.25
 INSPECTION AND TEST, API 598/API 6D

TEST PRESSURE API 598/API 6D
 OPTION: FIRE SAFE SEAT

Design description:

FULL PORT DESIGN
 BB, BOLTED BONNET, SPLIT BODY
 FLOATING BALL TYPE
 BLOW-OUT PROOF STEM
 FIRE DURABLE CONSTRUCTION
 ANTI STATIC DEVICE
 STOPPER DEVICE
 ISO5211 MOUNTING PAD
 FLANGED OR BUTT WELDING ENDS
 AVAILABLE WITH BG OPERATOR

MAX.WORKING PRESSURE 150PSI
 MAX.WORKING TEMPERATURE 180°C



Materials of parts

No	Part Name	ASTM Material		
		Carbon Steel	18Cr-9Ni-2Mo	Carbon Steel
1	Body	A216-WCB	A351-CF8M	A352-LCB
2	Bonnet	A216-WCB	A351-CF8M	A352-LCB
3	Ball	A182-F304 ¹⁾	A182-F316	A182-F304 ¹⁾
4	Stem	A276-304	A276-316	A276-304
5	Seat Ring	R.PTFE		
6	Bonnet Gasket	Graphite+304 ²⁾	PTFE	Graphite+304 ²⁾
7	Bonnet Stud	A193-B7	A193-B8	A320-L7
8	Bonnet Stud Nut	A194-2H	A194-8	A194-4
9	Packing	PTFE		
10	Gland Flange	A216-WCB	A351-CF8M	A352-LCB
11	Gland Bolt	A193-B7	A193-B8	A193-B7
12	Stop Plate	Carbon Steel	Carbon Steel+Zn	Carbon Steel
13	Handle	Carbon Steel		

Note: 1). A105+ENP optional
 2). Spiral wound construction.

In response to research and development,
 Nachi valve reserves the right to alter technical
 specification without prior notice.

Dimensions data

NPS DN	1/2 15	3/4 20	1 25	1 1/2 40	2 50	2 1/2 40	3 80	4 100	6 150	8 200	10 250	12 300	in mm
ANSI Class 150Lb													
L (RF)	4.25	4.62	5.00	6.50	7.00	7.50	8.00	9.00	15.50	18.00	21.00	24.00	in
	108	117	127	165	178	190	203	229	394	457	533	610	mm
L1 (BW)	5.50	6.00	6.50	7.50	8.50	9.50	11.12	12.00	18.00	20.50	22.00	25.00	in
	140	152	165	190	216	241	283	305	457	521	559	635	mm
H	2.12	2.12	2.75	3.50	4.12	6.12	7.25	8.00	10.00	11.00	13.50	16.50	in
	55	55	70	90	105	155	185	205	255	280	345	420	mm
(d)	13	19	25	38	49	62	74	100	150	201	252	303	mm
W	5	5	6	8	14	16	20	20	24	32	32	32	in
	130	130	160	200	350	400	500	500	600	800	800	800	mm
WT (kg)	2.3	3	4.5	7	9.5	15	19	33	93	160	200	280	RF
	1.8	2.8	3.7	6.2	8.5	14	21	35	98	170	225	295	BW

TEL:0814414161
 EMAIL:i0814414161@hotmail.com

www.nachivalve.com
price@nachivalve.com