

# SWING CAST STEEL CHECK VALVE 150LB MODEL:NC41-KJ



### Applicable standards:

STEEL CHECK VALVES,API6D/BS1868  
STEEL CHECK VALVES,ISO 14313  
STEEL VALVES,ASME B16.34  
FACE TO FACE,ASME B16.10  
END FLANGES,ASME B16.5  
BUTTWELDING ENDS,ASME B16.25  
INSPECTION AND TEST,API 598/API 6D

### Design description:

BB, BOLTED BONNET CAP  
SWING TYPE, ANTI-ROTATION DISC  
RENEWABLE SEAT RINGS  
NON-PENETRATE DISC SHAFT  
HORIZONTAL OR VERTICAL SERVICE  
FLANGED OR BUTTWELDING ENDS



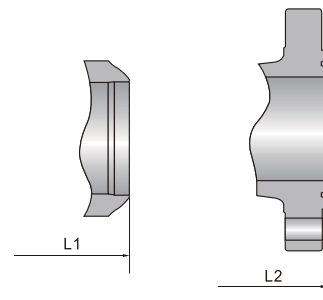
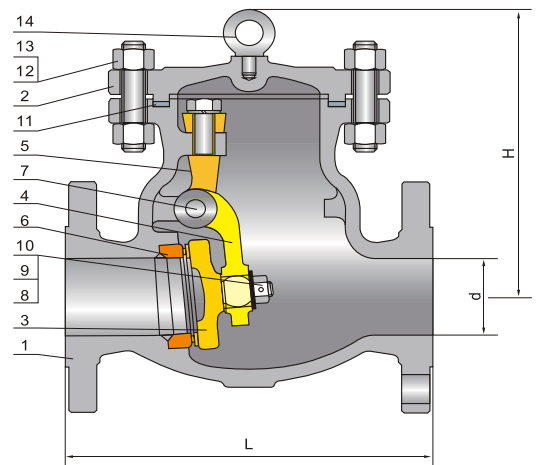
### Materials of parts

NO	Part Name	ASTM Material		
		Carbon Steel	1 1/4Cr-1/2Mo	Carbon Steel
1	Body	A216-WCB	A217-WC6	A352-LCB
2	Bonnet Cap	A216-WCB	A217-WC6	A352-LCB
3	Disc <sup>1)</sup>	A105-CR13	A182-F11+HF	A350-LF2+CR13
4	Hinge	A216-WCB	A217-WC6	A352-LCB
5	Support	A216-WCB	A217-WC6	A352-LCB
6	Seat Ring	A105+CR13	A182-F11+HF	A350-LF2+CR13
7	Hinge Pin	A276-420	A276-304	A276-420
8	Disc Washer	Carbon Steel	A276-304	Carbon Steel
9	Disc Nut	Carbon Steel	A194-7	Carbon Steel
10	Disc Nut Pin	Carbon Steel	A276-420	Carbon Steel
11	Bonnet Gasket	Spiral Wound (Graphite+304)		
12	Bonnet Stud	A193-B7	A193-B16	A320-L7
13	Bonnet Stud Nut	A194-2H	A194-7	A194-4
14	Eyebolt <sup>2)</sup>	Carbon Steel		

Note:1).Cast steel disc for NPS 4 " and above.

2).NPS 6 " & larger.

3).Disc and seat ring may either be solid facing material or a base material equal to or better than the body/bonnet material with facing as shown.



### Dimensions data

NPS DN	2 50	2 1/2 65	3 80	4 100	6 150	8 200	10 250	12 300	14 350	16 400	18 450	20 500	24 600	26 650	28 700	30 750	36 900	in mm
-----------	---------	-------------	---------	----------	----------	----------	-----------	-----------	-----------	-----------	-----------	-----------	-----------	-----------	-----------	-----------	-----------	----------

### ANSI Class 150Lb

L/L1 (RF/BW)	8.00 203	8.50 216	9.50 241	11.50 292	14.00 356	19.50 495	24.50 622	27.50 699	31.00 787	34.00 864	38.50 978	38.50 978	51.00 1295	51.00 1295	57.00 1448	60.00 1524	77.00 1956	in mm
L2 (RTJ)	8.50 216	9.00 229	10.00 254	12.00 305	14.50 368	20.00 508	25.00 635	28.00 711	31.50 800	34.50 876	39.00 991	39.00 991	51.50 1308	- -	- -	- -	- -	in mm
H	6.00 152	6.50 165	6.88 175	8.00 204	11.50 293	13.88 353	15.38 390	17.00 432	18.75 475	20.62 525	22.88 582	24.62 627	34.75 883	35.88 910	37.00 940	38.62 980	48.00 1220	in mm
(d)	50	63	76	100	150	200	250	300	336	387	438	488	590	641	692	743	876	mm
WT (kg)	14 10	20 12	25 17	40 29	71 57	118 96	177 143	263 227	353 295	542 468	632 552	855 755	970 831	1275 1120	1600 1420	1990 1760	2760 2230	RF BW

[info@alibabavalue.com](mailto:info@alibabavalue.com)  
[www.alibabavalue.com](http://www.alibabavalue.com)